

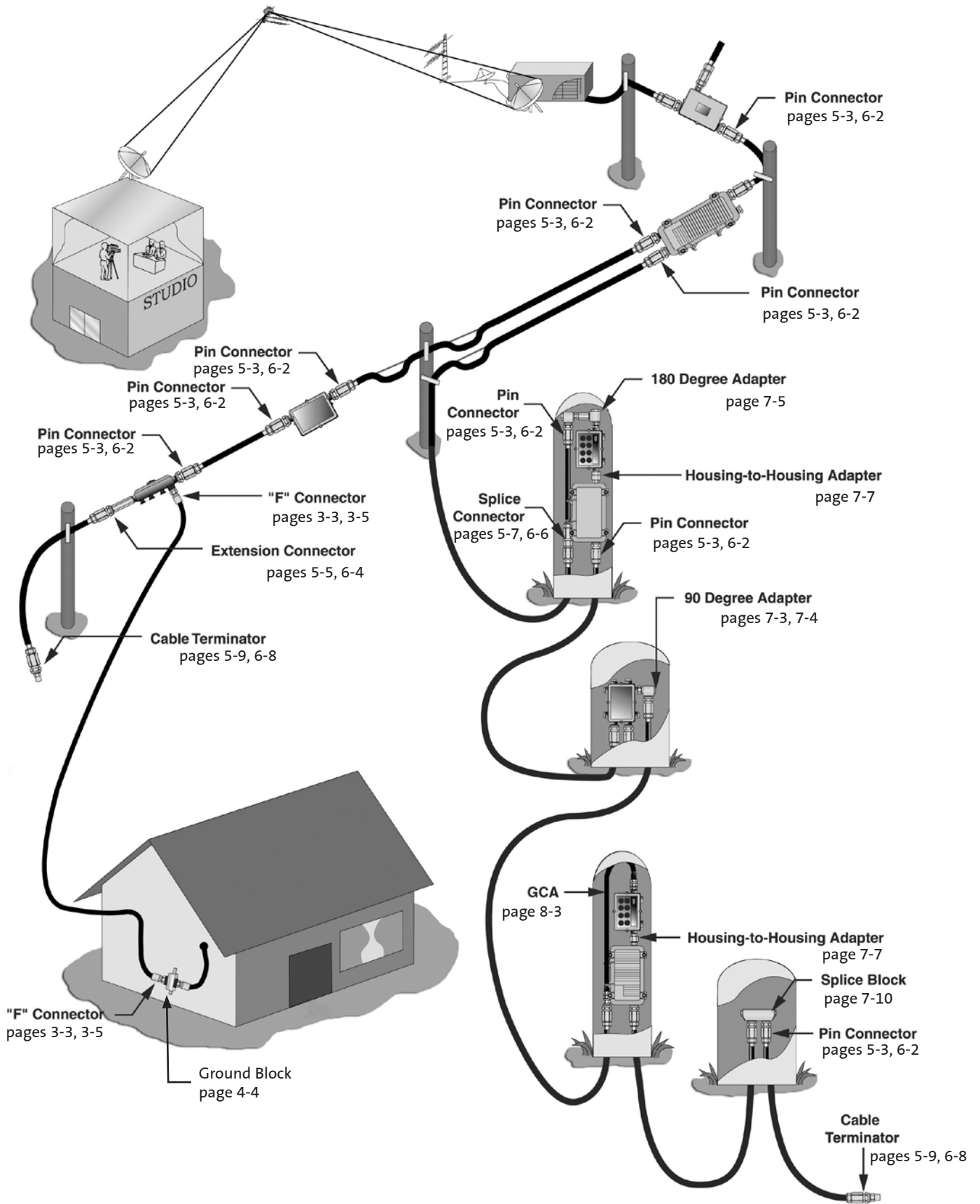
Technical Reference

[CATV Architecture](#)

[F Connector Color Chart](#)

[Part Number Identification](#)

[Cable Reference Chart](#)

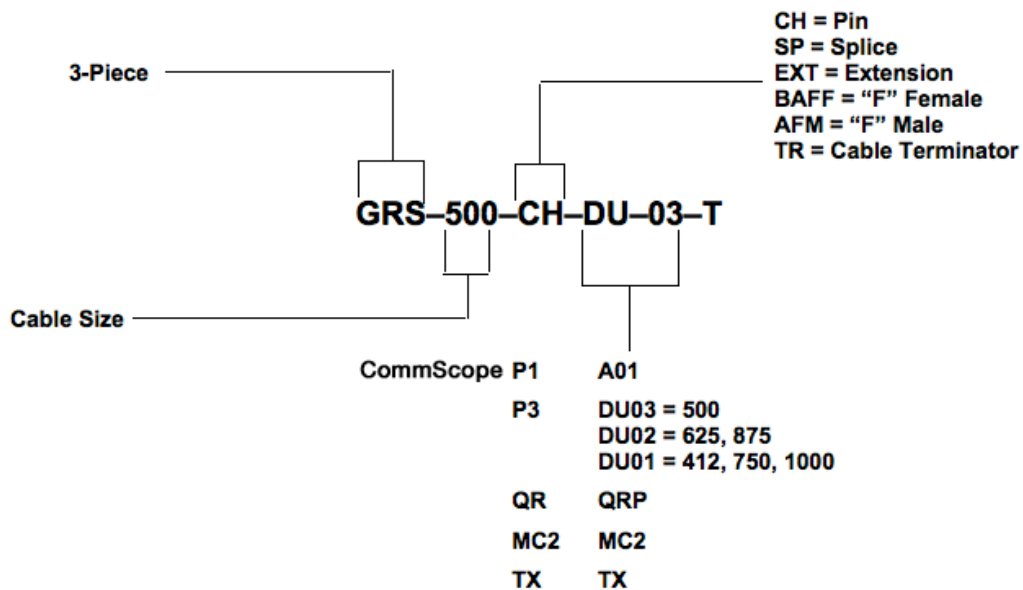


F CONNECTOR COLOR CHART

UltraEase®	
Part Number	Color Code
GAF-UE-M	Red
GAF-UE-MQ	Orange
GF-UE-59	Black
GF-UE-59-SR	Black
GF-UE-59Q	Green
GF-UE-59Q-SR	Green
GF-UE-6	Gold
GF-UE-6-SR	Gold
GF-UE-6Q	Silver
GF-UE-6Q-SR	Silver

UltraRange®	
Part Number	Color Code
GF-UR-59	Green
GF-UR-59-K	Green
GF-UR-59-SR	Green
GF-UR-59-HEC	Purple
GA-BNC-UR-59-HEC	Purple
GA-BNC-UR-59	Green
GF-UR-6	Black
GF-UR-6-K	Black
GF-UR-6-PL	Orange
GF-UR-6-SR	Black
GA-BNC-UR-6	Gold
GAF-UR-11-MH	Black
GAF-UR-11-MH-SR	Black
GAF-UR-11-PL	Orange
GAF-UR-11-RA	Black
GAF-UR-11-RA-SR	Black

PART NUMBER IDENTIFICATION



CABLE REFERENCE CHART

Cable Series	Group	GRS Designation	G2 Designation
.412 Series			
P1	A	A-01	P1
P2/P3/T10	B	DU-01	P3
.500 Series			
P1	C	A-01	P1
P2	D	DU-01	
P3/T10	F	DU-03	P3
2312K (.500 P3 Plenum)	F	DU-03	P3
.625 Series			
P3/T10	P	DU-02	P3
.750 Series			
P1	G	A-01	P1
P2	H	DU-03	
P3/T10	K	DU-01	P3
.875 Series			
P3/T10	R	DU-02	P3
1.000 Series			
P1	O	A-01	
P2/P3/T10	M	DU-01	
Additional Series			
.540 QR	QR		
.715 QR	QR		
.860 QR	QR		
1.125 QR	QR		
.440 MC2	MC2		
.500 MC2	MC2		
.650 MC2	MC2		
.750 MC2	MC2		
1.000 MC2	MC2		
.480 TX/P3	TX		
.565 TX/P3	TX		
.700 TX/P3	TX		
.840 TX/P3	TX		
1.160 TX/P3	TX		